



LOW WATER
CONTENT

MAIN IMAGE:

Shown in Pure Orange RAL 2004 with Essential Straight Valves in Chrome

INSET IMAGE:

Shown in White Aluminium RAL 9006 Matt



DRIFFTER

VERTICAL &
HORIZONTAL

A slim, stylish flat panel radiator with clean lines and a subtle ridge that gives a distinguished contemporary feel. This low water content radiator can transform any room in the house with its classy design.

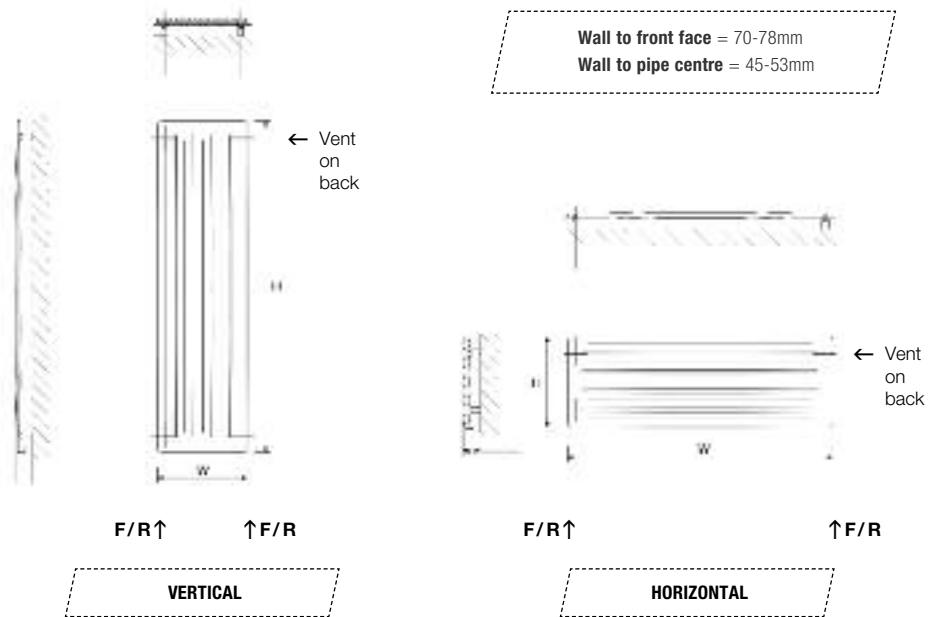
TECHNICAL INFORMATION

STANDARD CONNECTIONS 1/2" F = Flow
R = Return

PIPE CENTRES

Vertical = radiator width - 70mm

Horizontal = radiator width - 70mm

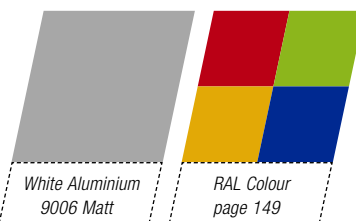


Model	Height (H) (mm)	Width (W) (mm)	Watts Δt 50°C	Btu's Δt 50°C	RAL 9006 Matt (inc VAT)	RAL Colour (inc VAT)	Weight (kgs)
<i>DRIFTER VERTICAL</i>							
Drifter 150/4 V	1500	325	446	1522	£777	£777	15
Drifter 150/5 V	1500	410	558	1904	£815	£815	18
Drifter 180/4 V	1800	325	526	1795	£835	£835	18
Drifter 180/5 V	1800	410	657	2242	£893	£893	22
<i>DRIFTER HORIZONTAL</i>							
Drifter 90/4 H	325	900	290	989	£700	£700	9
Drifter 120/5 H	410	1200	485	1655	£776	£776	15
Drifter 150/5 H	410	1500	582	1986	£815	£815	18
Drifter 180/5 H	410	1800	720	2457	£893	£893	22

★ All items in bold – Next working day delivery

★ All items not in bold – 4 weeks delivery

AVAILABLE IN THE FOLLOWING FINISHES:



Other matt colours incur a 25% increase on colour price.