

MAIN IMAGE:
Shown in Copper Lacquer with Enzo Angled Valves in Polished Brass

PETA

This classic column radiator, when ordered in white, is available from stock and can be made in any number of sections at our warehouse. Special finishes and colours take a little longer – the chosen finish or colour is applied to order.



TECHNICAL INFORMATION

STANDARD

F = Flow

P = Plug

CONNECTIONS 1/2"

R = Return

V = Vent

PIPE CENTRES = radiator width + valves



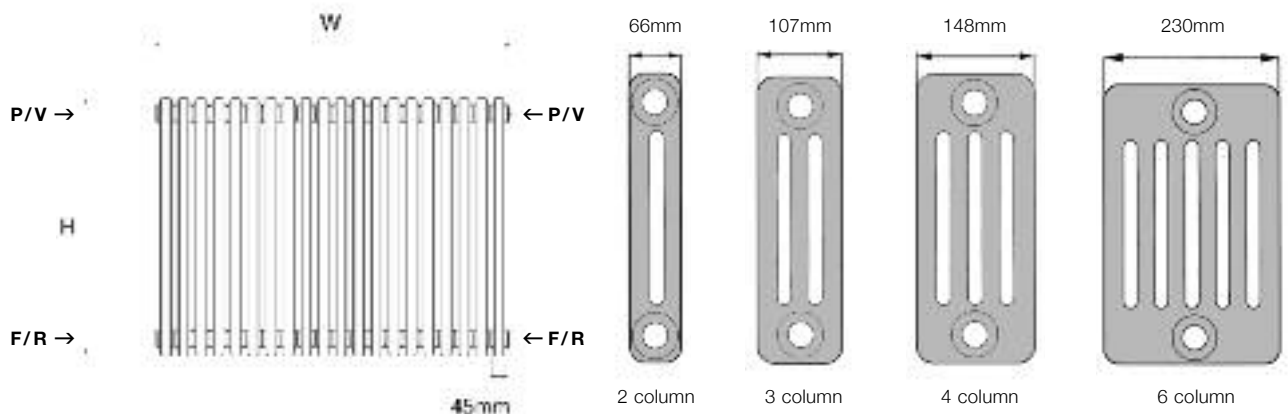
Black nickel lacquer



Copper lacquer

Images shown above:

These images are to show the lacquer finishes that are available on the Peta range, these coloured lacquers give a unique finish to the radiators while showing off the raw finish of the product beneath.



The Peta range is available in:

Four column depths, four available fixings, 1/2" or 3/4" tappings with bottom opposite end connections and any RAL colour or finishes on pages 149 & 150 of this brochure. All preferences must be specified at the time of order – diverter, plug, vent, wall ties and wall brackets are included in the price.

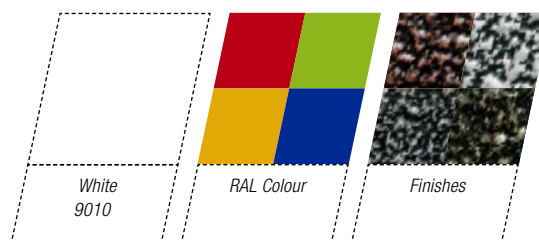
Specifying your Peta Radiator:

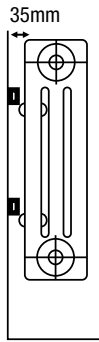
- 1** Choose column depth. **2** Choose height (H). **3** Calculate required size or output using the calculator on our website and use tables to find the correct product. **4** Choose fixings.

For example: you require a Peta with an output of 6000 Btu to heat your room

- 1** You have chosen your column depth of 4 columns. **2** Chosen your height of 500mm.
- 3** Calculated your required number of sections ($4.500 = 247 \text{ Btu}$, $6000 / 247 = 25$ sections).
- 4** Decided on wall brackets.

AVAILABLE IN THE FOLLOWING FINISHES:



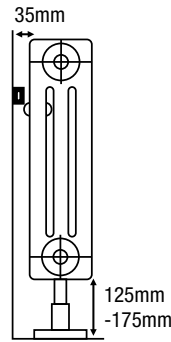


Wall Brackets



WALL BRACKETS FOR PETA
(WALL BRACKETS ARE INCLUDED IN THE PRICE AS STANDARD)

Additional wall brackets are available at **£39** per pair.

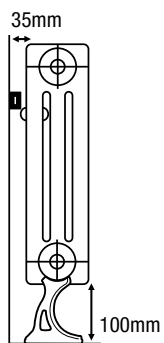


Floor Brackets



FLOOR BRACKETS FOR PETA
(ONLY AVAILABLE IN WHITE)

- Floor brackets 4-20 Sections (2 brackets) **£66**
- Floor brackets 21-40 Sections (3 brackets) **£99**
- Floor brackets 41+ Sections (4 brackets) **£132**

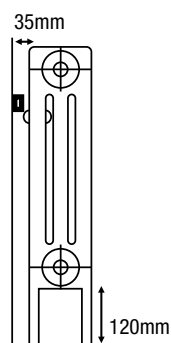


Cast Feet



CAST FOOT FOR PETA

- Cast Feet 4-20 Sections (2 feet) **£66**
- Cast Feet 21-40 Sections (3 feet) **£99**
- Cast Feet 41+ Sections (4 feet) **£132**



Slip-on Feet



SLIP-ON FEET FOR PETA

- Slip-on feet 4-20 Sections (2 feet) **£66**
- Slip-on feet 21-40 Sections (3 feet) **£99**
- Slip-on feet 41+ Sections (4 feet) **£132**

When ordering with feet between 21 and 40 sections, we recommend that you order an odd number of sections as these are supplied with three fixings.

